



NMFG ..

## Fluorescent Emergency Light Fittings



Marking to ATEX 94/9/EC Directive: II 2 G Ex d IIC T6 Gb / Ex d e IIC T6 Gb

II 2 D Ex tb IIIC T72°C Db IP66

Zone: 1, 2, 21, 22 , Gas Group IIB and IIC

Compliance with: IEC 60079-0:2011, IEC 60079-1:2007, IEC 60079-7:2006, IEC 60079-31:2008

EC Type Examination Certificate: ISSeP 13 ATEX 030

Production quality assurance notification: ISSeP 12 ATEX 026



### FEATURES

- Enclosure:** Copper free aluminium alloy head and end cap suitable for petroleum and marine locations.
- Glass:** Borosilicate tempered glass resistant to impact and sudden heat changes.
- Range:** Single or double bi-pin 20 and 40 W fluorescent tubes with rapid start electronic.  
Internal white coated metallic mounting plate and reflector.
- Reflector:** IP66 to IEC 529 / EN 60529.
- IP rating:** Optional installation accessories are supplied for any type of mounting.
- Installation:** Two hubs M20 as standard, third on request. NPT or other threads supplied on request.
- Cable entry:** Standard M6 internal and external earth screws.
- Earthing:** Electrostatic powder coated or two pack epoxy paint.
- Finish:**



NMFGE 240

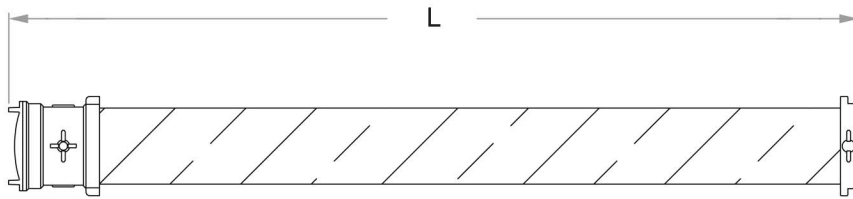
### OPTIONS

- Installation accessories (ceiling, chain, bracket or pole mounting).
- Electronic inverter and battery pack for emergency operation.
- External aluminium reflector giving UV protection to electronic components.
- Safety switch disconnecting power when opening head for lamp replacement or maintenance.
- Electromagnetic ballast.
- Wire guard.
- Cable gland.
- Lamp.

نور محور فارس  
تولید کننده تجهیزات الکتریکی ضد انفجار  
**NM SWITCHGEAR**  
Explosion Proof Electrical Supplies

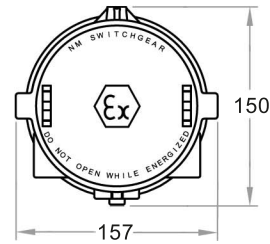


## NMFG.. Installation Types and Accessories

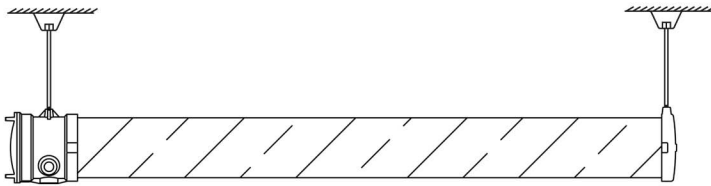


TYPE	RATING	L mm
NMFG 120	1 x 20 W	750
NMFG 140	1 x 40 W	1350
NMFG 220	2 x 20 W	750
NMFG 240	2 x 40 W	1350

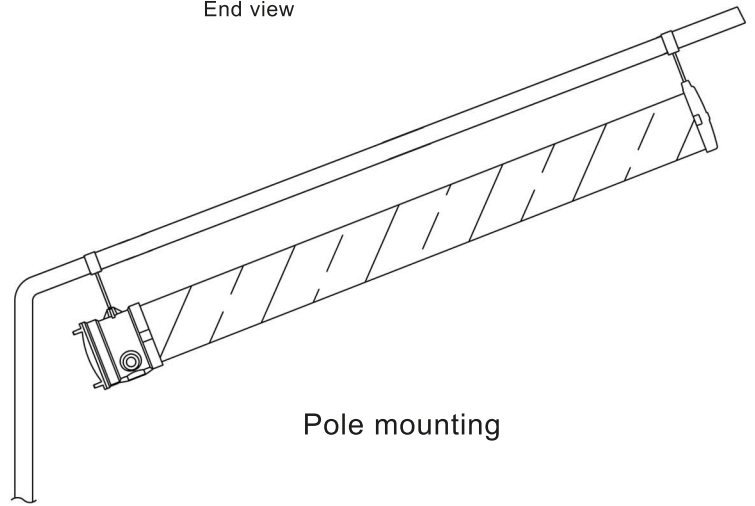
Dimensions shown are within manufacturing tolerances



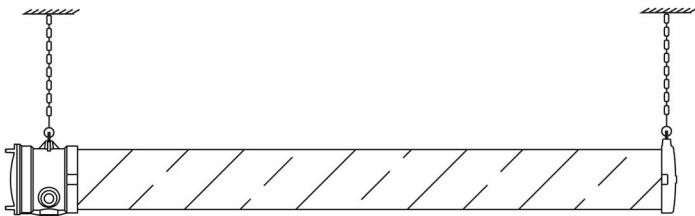
End view



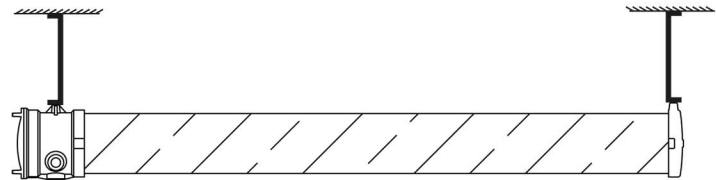
Ceiling mounting



Pole mounting



Chain mounting



Bracket mounting

Other types of installation accessories supplied on request.

نور محور فارس  
NM SWITCHGEAR

دفتر مرکزی و کارخانه: شیراز، منطقه ویژه اقتصادی، کد پستی: ۷۱۵۹۱-۱۳۹۹۹ - تلفن: ۰۷۱-۹۱۰۰-۹۱۶۱ (دورنگار داخلی ۹)  
دفتر تهران: خیابان ونک، شماره ۱۱۰، مجتمع آیینه ونک، واحد ۳۰۳، کد پستی: ۱۹۹۱۹-۵۳۹۳۵ - تلفن: ۸۸۷۸-۹۳۹۷



Marking to ATEX 94/9/EC Directive:  $\text{Ex}$  II 2 G Ex d IIC T6 Gb / II 2 D Ex tb IIIC T72°C Db IP66

Zone: 1, 2, 21, 22 , Gas Group IIC

Compliance with: IEC 60079-0:2007, IEC 60079-1:2007, IEC 60079-31:2008

EC Type Examination Certificate: ISSeP 10 ATEX 010X



## FEATURES

- Enclosure:** Copper free aluminium alloy suitable for petroleum and marine locations.
- Glass:** Borosilicate tempered glass resistant to impact and sudden heat changes.
- Range:** Single or double bi-pin 20 and 40 W fluorescent tubes with rapid start electronic ballast.
- Reflector:** Aluminium, white coated for optimum uniform lighting.
- IP rating:** IP66 to IEC 529 / EN 60529.
- Installation:** Optional installation accessories are supplied for any type of mounting.
- Wire guard:** Stainless steel wire guard supplied with all lighting fixtures as standard.
- Cable entry:** ISO 965.1 metric as standard. NPT or other threads supplied on request.
- Earthing:** Standard M6 internal and external earth screws.
- Finish:** Electrostatic powder coated or two pack epoxy paint.



NMF 240

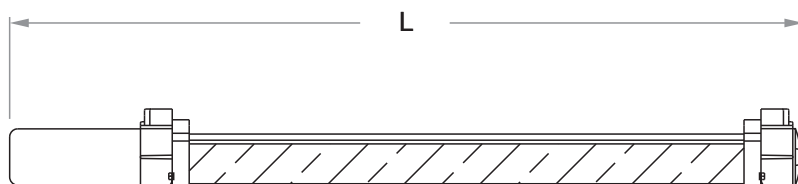
## OPTIONS

- Installation accessories (ceiling, pipe, chain, bracket or pole mounting)
- Cable gland
- Lamp

نور محور فارس  
تولید کننده تجهیزات الکتریکی ضد انفجار  
NM SWITCHGEAR  
Explosion Proof Electrical Supplies

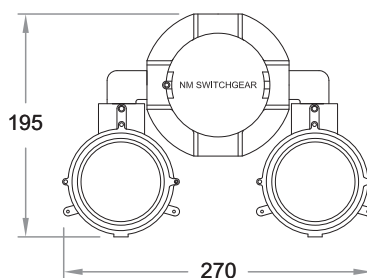


## NMF.. Installation Types and Accessories

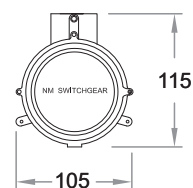


TYPE	RATING	L mm
NMF 120	1 x 20 W	935
NMF 140	1 x 40 W	1535
NMF 220	2 x 20 W	935
NMF 240	2 x 40 W	1535

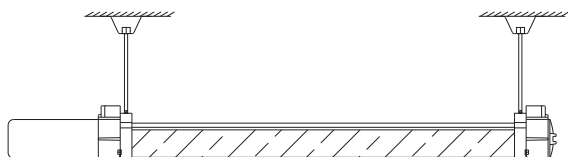
Dimensions shown are within manufacturing tolerances



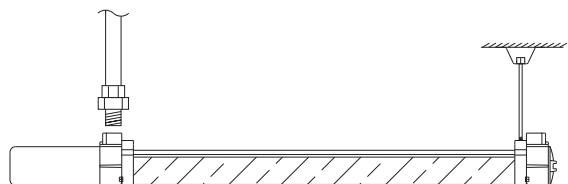
End view  
2 x 20 & 2 x 40



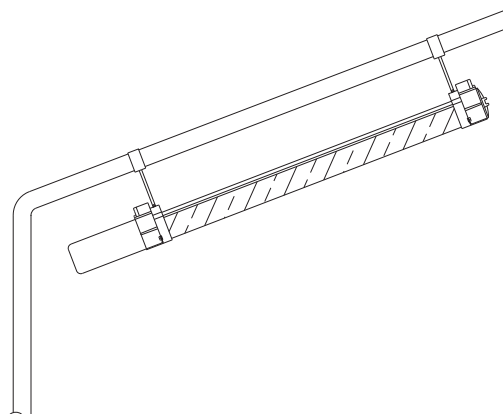
End view  
1 x 20 & 1 x 40



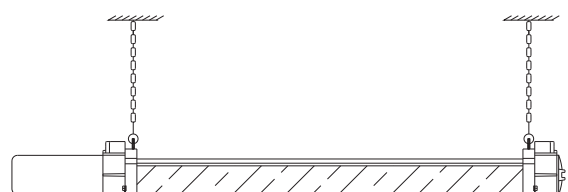
Ceiling mounting



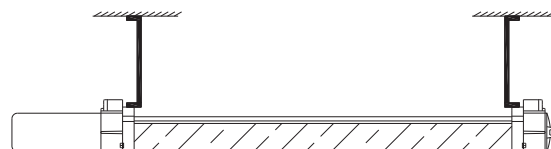
Pipe mounting



Pole mounting



Chain mounting



Bracket mounting

Other types of installation accessories supplied on request.



Marking to ATEX 94/9/EC Directive:  $\text{Ex}$  II 2 G Ex d IIC T6 Gb / II 2 D Ex tb IIIC T72°C Db IP66

Zone: 1, 2, 21, 22 , Gas Group IIC

Compliance with: IEC 60079-0:2007, IEC 60079-1:2007, IEC 60079-31:2008

EC Type Examination Certificate: ISSeP 10 ATEX 010X



## FEATURES

- Enclosure:** Copper free aluminium alloy suitable for petroleum and marine locations.
- Glass:** Borosilicate tempered glass resistant to impact and sudden heat changes.
- Range:** Single or double bi-pin 20 and 40 W fluorescent tubes with rapid start electronic ballast and emergency units with battery pack.
- Reflector:** Aluminium, white coated for optimum uniform lighting.
- IP rating:** IP66 to IEC 529 / EN 60529.
- Installation:** Optional installation accessories are supplied for any type of mounting.
- Wire guard:** Stainless steel wire guard supplied with all lighting fixtures as standard.
- Cable entry:** ISO 965.1 metric as standard. NPT or other threads supplied on request.
- Earthing:** Standard M6 internal and external earth screws.
- Finish:** Electrostatic powder coated or two pack epoxy paint.



NMFE 240

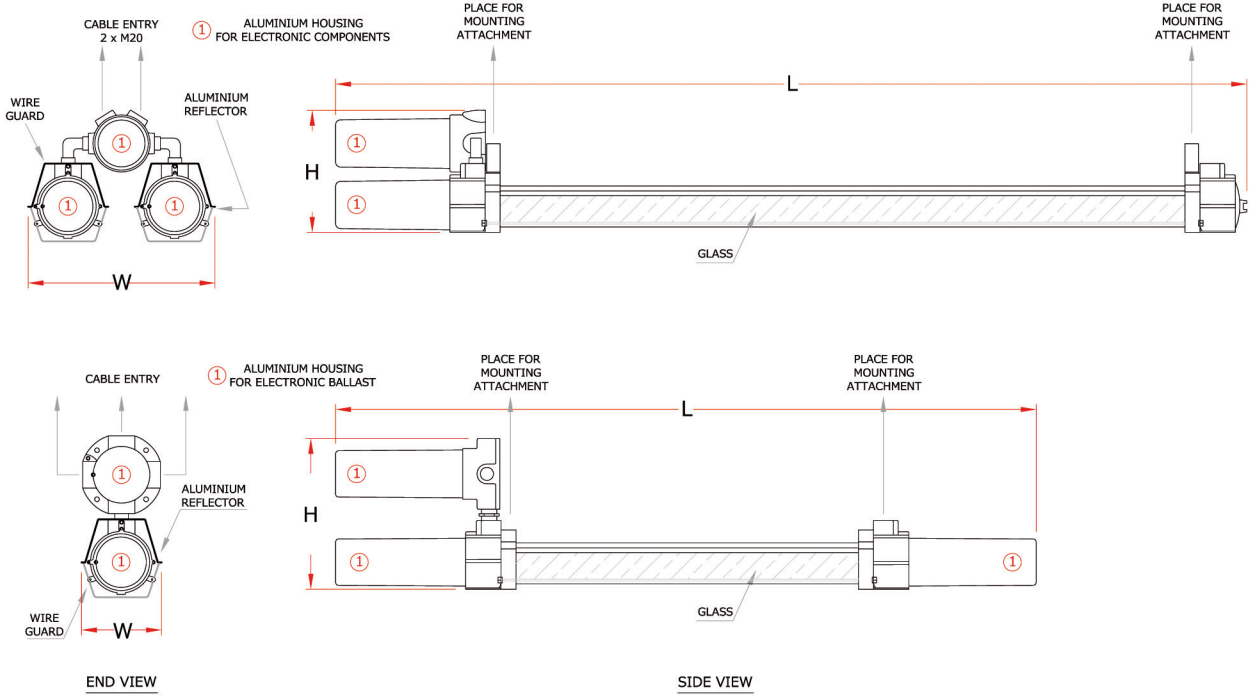
## OPTIONS

- Installation accessories (ceiling, pipe, chain, bracket or pole mounting)
- Cable gland
- Lamp

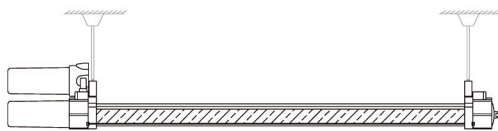
نور محور فارس  
تولید کننده تجهیزات الکتریکی ضد انفجار  
**NM SWITCHGEAR**  
Explosion Proof Electrical Supplies



# NMF.. Installation Types and Accessories



TYPE	RATING	L	H	W
NMF 120	1 x 18 W	760	270	160
NMF 140	1 x 36 W	1360	270	265
NMF 220	2 x 18 W	965	200	160
NMF 240	2 x 36 W	1565	200	265



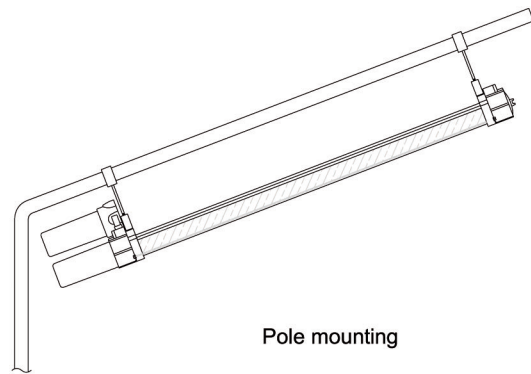
Ceiling mounting



Pipe mounting



Chain mounting



Pole mounting



Bracket mounting

## نور محور فارس NM SWITCHGEAR

دفتر مرکزی و کارخانه: شیراز، منطقه ویژه اقتصادی، کد پستی: ۷۱۵۹۱-۱۳۹۹۹ - تلفن: ۰۷۱-۹۱۰۰-۹۱۶۱ (دورنگار داخلی ۹)  
دفتر تهران: خیابان ونک، شماره ۱۱۰، مجتمع آیینه ونک، واحد ۳۰۳، کد پستی: ۱۹۹۱۹-۵۳۹۳۵ - تلفن: ۸۸۷۸-۹۳۹۷



# NMFGE ..

## Fluorescent Emergency Light Fittings



Marking to ATEX 94/9/EC Directive: II 2 G Ex d IIC T6 Gb / Ex d e IIC T6 Gb

II 2 D Ex tb IIIC T72°C Db IP66

Zone: 1, 2, 21, 22 , Gas Group IIB and IIC

Compliance with: IEC 60079-0:2011, IEC 60079-1:2007, IEC 60079-7:2006, IEC 60079-31:2008

EC Type Examination Certificate: ISSeP 13 ATEX 030

Production quality assurance notification: ISSeP 12 ATEX 026



### FEATURES

- Enclosure:** Copper free aluminium alloy head and end cap suitable for petroleum and marine locations.
- Glass:** Borosilicate tempered glass resistant to impact and sudden heat changes.
- Range:** Single or double bi-pin 20 and 40 W fluorescent tubes with rapid start electronic ballast and electronic inverter and battery pack for emergency operation.
- Reflector:** Internal white coated metallic mounting plate and reflector.
- IP rating:** IP66 to IEC 529 / EN 60529.
- Installation:** Optional installation accessories are supplied for any type of mounting.
- Cable entry:** Two hubs M20 as standard, third on request. NPT or other threads supplied on request.
- Earthing:** Standard M6 internal and external earth screws.
- Finish:** Electrostatic powder coated or two pack epoxy paint.



NMFGE 240

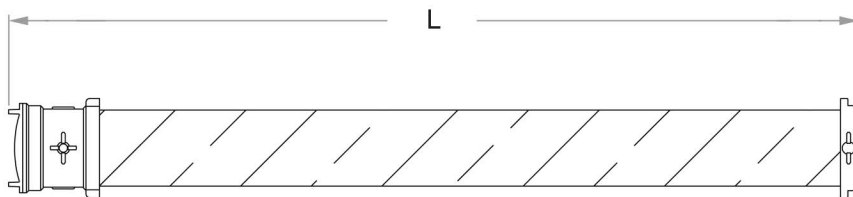
### OPTIONS

- Installation accessories (ceiling, chain, bracket or pole mounting).
- External aluminium reflector giving UV protection to electronic components.
- Safety switch disconnecting power when opening head for lamp replacement or maintenance.
- Wire guard.
- Cable gland.
- Lamp.

نور محور فارس  
تولید کننده تجهیزات الکتریکی ضد انفجار  
**NM SWITCHGEAR**  
Explosion Proof Electrical Supplies

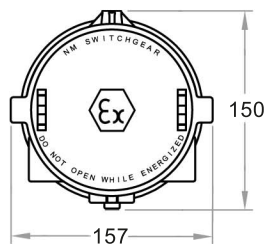


## NMFGE.. Installation Types and Accessories

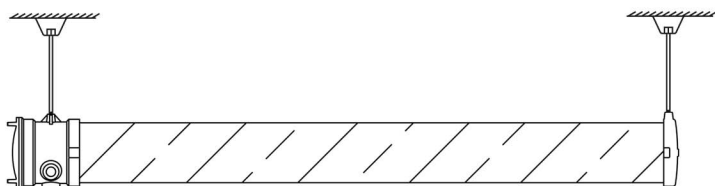


TYPE	RATING	L mm
NMFGE 120	1 x 20 W	750
NMFGE 140	1 x 40 W	1350
NMFGE 220	2 x 20 W	750
NMFGE 240	2 x 40 W	1350

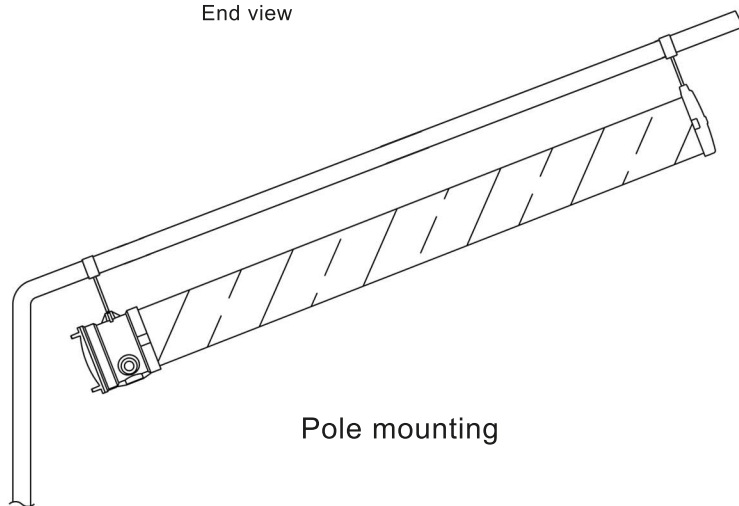
Dimensions shown are within manufacturing tolerances



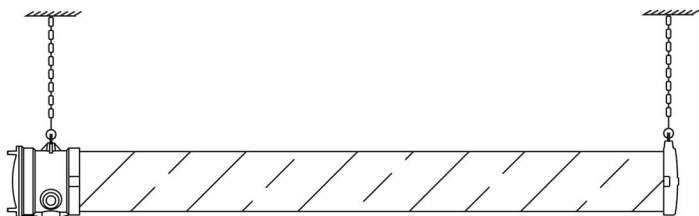
End view



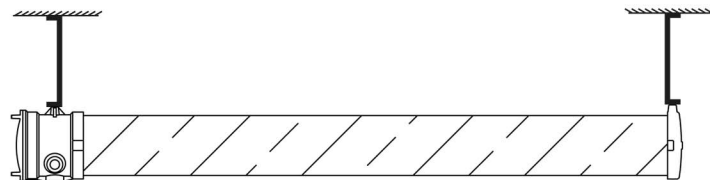
Ceiling mounting



Pole mounting



Chain mounting



Bracket mounting

Other types of installation accessories supplied on request.

نور محور فارس  
NM SWITCHGEAR

دفتر مرکزی و کارخانه: شیراز، منطقه ویژه اقتصادی، کد پستی: ۷۱۵۹۱-۱۳۹۹۹ - تلفن: ۰۷۱-۹۱۰۰-۹۱۶۱ (دورنگار داخلی ۹)  
دفتر تهران: خیابان ونک، شماره ۱۱۰، مجتمع آیینه ونک، واحد ۳۰۳، کد پستی: ۱۹۹۱۹-۵۳۹۳۵ - تلفن: ۸۸۷۸-۹۳۹۷