



Marking to ATEX 94/9/EC Directive:  $\text{Ex}$  II 2 G Ex d IIC T4 or T3 / II 2 D Ex tD A21 IP65 T130°C or T195°C

Zone: 1, 2, 21, 22 , Gas Group IIC

Compliance with: IEC 60079-0:2004, IEC 60079-1:2003, IEC 61241-0:2004, IEC 61241-1:2004

EC Type Examination Certificate: ISSeP 07 ATEX 022



## FEATURES

- Enclosure:** Copper free aluminium alloy suitable for petroleum and marine locations.
- Glass:** Borosilicate tempered glass resistant to impact and sudden heat changes.
- Lamps:** Incandescent or blended lamps up to 500 W.
- IP rating:** IP65 to IEC 529 / EN 60529. IP66 by application of an approved non-hardening grease.
- Installation:** Optional installation accessories are supplied for any type of mounting.
- Wire guard:** Stainless steel wire guard supplied with all lighting fixtures, as standard.
- Cable entry:** ISO 965.1 metric as standard. NPT or other threads supplied on request.
- Earthing:** Standard M6 internal and external earth screws.
- Finish:** Electrostatic powder coated or two pack epoxy paint.



NML1

NML2

NML3

NML4

NML5

## OPTIONS

- Installation accessories:  
(pendant, bracket, suspension, ceiling or pipe mounting)
- Enameled aluminium reflector
- Cable gland
- Lamp

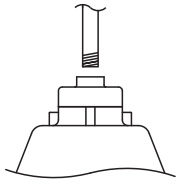


REFLECTOR

نور محور فارس  
تولید کننده تجهیزات الکتریکی ضد انفجار  
NM SWITCHGEAR  
Explosion Proof Electrical Supplies



## NML.. Installation Types and Accessories

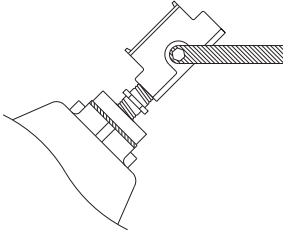


Pendant type: NML..P



TYPE	WATT	TEMP CLASS	LAMP HOLDER	H mm	W mm	Weight kg.
NML1P	100	T3	E27	240	150	2.2
NML2P	200	T4	E27	290	170	3.2
NML3P	200	T4	E27	340	200	4.2
NML4P	300	T3	E40	410	220	7.0
NML5P	500	T3	E40	470	270	10.3

Dimensions shown are within manufacturing tolerances

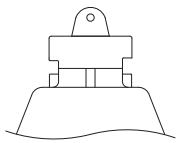


Bracket type: NML..B



TYPE	WATT	TEMP CLASS	LAMP HOLDER	H mm	W mm	Weight kg.
NML1B	100	T3	E27	420	150	3.7
NML2B	200	T4	E27	470	170	4.7
NML3B	200	T4	E27	520	200	5.7
NML4B	300	T3	E40	580	220	9.5
NML5B	500	T3	E40	650	270	11.8

Dimensions shown are within manufacturing tolerances

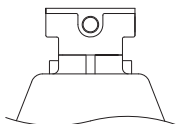


Suspension type: NML..S



TYPE	WATT	TEMP CLASS	LAMP HOLDER	H mm	W mm	Weight kg.
NML1S	100	T3	E27	290	150	2.5
NML2S	200	T4	E27	350	170	3.5
NML3S	200	T4	E27	390	200	4.5
NML4S	300	T3	E40	450	220	7.2
NML5S	500	T3	E40	510	270	10.6

Dimensions shown are within manufacturing tolerances

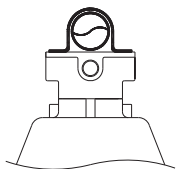


Ceiling type: NML..C



TYPE	WATT	TEMP CLASS	LAMP HOLDER	H mm	W mm	Weight kg.
NML1C	100	T3	E27	250	150	2.5
NML2C	200	T4	E27	310	170	3.5
NML3C	200	T4	E27	350	200	4.5
NML4C	300	T3	E40	420	220	7.2
NML5C	500	T3	E40	480	270	10.6

Dimensions shown are within manufacturing tolerances



Pipe mounted type: NML..PM



TYPE	WATT	TEMP CLASS	LAMP HOLDER	H mm	W mm	Weight kg.
NML1PM	100	T3	E27	256	150	2.5
NML2PM	200	T4	E27	316	170	3.5
NML3PM	200	T4	E27	356	200	4.5
NML4PM	300	T3	E40	426	220	7.2
NML5PM	500	T3	E40	486	270	10.6

Dimensions shown are within manufacturing tolerances

Other types of installation accessories supplied on request.



Marking to ATEX 94/9/EC Directive:  $\text{Ex}$  II 2 G Ex d IIC T4 or T3 / II 2 D Ex tD A21 IP65 T130°C or T195°C

Zone: 1, 2, 21, 22 , Gas Group IIC

Compliance with: IEC 60079-0, IEC 60079-1, IEC 61241-0, IEC 61241-1

EC Type Examination Certificate: ISSeP 07 ATEX 022

Production quality assurance notification: ITS18ATEXQ03386

IECEx Quality Assessment Report: GB/ITS/QAR18.0003/00



## FEATURES

- Enclosure:** Copper free aluminium alloy suitable for petroleum and marine locations.
- Glass:** Borosilicate tempered glass resistant to impact and sudden heat changes.
- Lamps:** High pressure discharge: Mercury vapour, Sodium vapour, Halogen and Metal halide.
- Power unit:** In a separate enclosure to accommodate ballast, starter & capacitor, and to avoid the damaging effects of direct heat from the lamp, resulting much longer service life.
- IP rating:** IP65 to IEC 529 / EN 60529. IP66 by application of an approved non-hardening grease.
- Installation:** Optional installation accessories are supplied for any type of mounting.
- Wire guard:** Stainless steel wire guard supplied with all lighting fixtures, as standard.
- Cable entry:** ISO 965.1 metric as standard. NPT or other threads supplied on request.
- Earthing:** Standard M6 internal and external earth screws.
- Finish:** Electrostatic powder coated or two pack epoxy paint.



REFLECTOR

## OPTIONS

Installation accessories: please specify accessories required if other than our standard, shown above.

Enameled aluminium reflector

Cable gland

Lamp

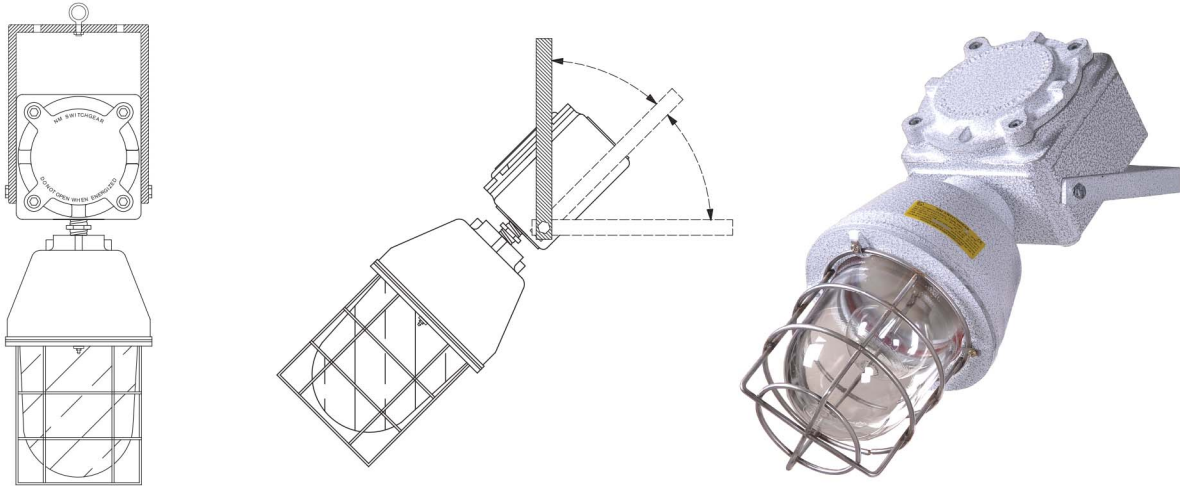
نور محور فارس  
تولید کننده تجهیزات الکتریکی ضد انفجار  
NM SWITCHGEAR

Explosion Proof Electrical Supplies



## NML.. Installation Types and Accessories

All our high-pressure discharge lamp light fittings are supplied with separate power unit enclosure. This is of outmost importance to prevent direct heat from the lamp damaging the ballast, starter and capacitor if they were all to be placed in the same enclosure with the lamp.



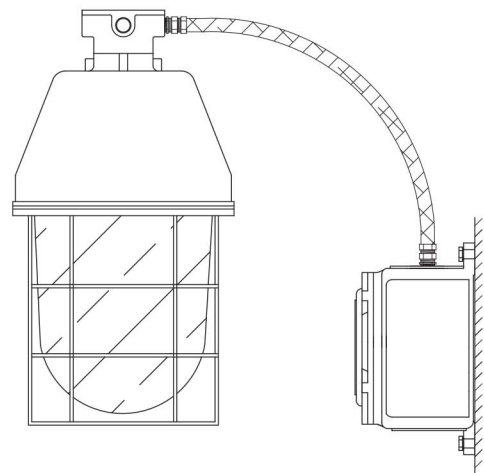
Light fittings of up to 250W are coupled to the power unit enclosure and supplied with bracket and an eye bolt as standard which suits most installations.

The bracket has 3 holes, with the eye bolt in the middle hole used when the fixture is to be installed in suspension mode. In applications, other the suspension, the eye bolt is removed and the 2 side holes are used to attach the fixture to wall, ceiling ....

The light fixture can be adjusted at any angle and remains firm and stable by the use of bolts and shake proof washers provided.

Other types of installation accessories supplied on request.

FIXTURES	TYPE OF LAMP	POWER OF LAMP
NML 1	INCANDESCENT	100 W
NML 2	INCANDESCENT	200 W
NML 2	MERCURY VAPORS	80 W
NML 3	BLENDED	160 W
NML 3	MERCURY VAPORS	125 W
NML 3	SODIUM VAPORS	70 W
NML 4	ALL TYPES	125, 250 & 300 W
NML 5	ALL TYPES	400 & 500 W



In 400 W light fittings the power unit is installed separate, electrically connected by cable to the light fitting.





Marking to ATEX 94/9/EC Directive:  $\text{Ex}$  II 2 G Ex d IIC T4 / II 2 D Ex tD A21 IP65 T130°C

Zone: 1, 2, 21, 22 , Gas Group IIC

Compliance with: IEC 60079-0:2004, IEC 60079-1:2003, IEC 61241-0:2004, IEC 61241-1:2004

EC Type Examination Certificate: ISSeP 07 ATEX 022



## FEATURES

<b>Application:</b>	Supplied with hook to be easily carried and hanged on the working site.
<b>Enclosure:</b>	Copper free aluminium alloy suitable for petroleum and marine locations.
<b>Glass:</b>	Borosilicate tempered glass resistant to impact and sudden heat changes.
<b>Lamp holder:</b>	E27 for use with incandescent or long life low power consumption lamps.
<b>Voltage transformer:</b>	Available as optional in separate enclosure for operating voltages other than 220 VAC.
<b>IP rating:</b>	IP65 to IEC 529 / EN 60529. IP66 by application of an approved non-hardening grease.
<b>Wire guard:</b>	Stainless steel wire guard supplied with all lighting fixtures as standard.
<b>Cable entry:</b>	Standard M6 internal and external earth screws.
<b>Earthing:</b>	ISO 965.1 metric as standard. NPT or other threads on request.
<b>Finish:</b>	Electrostatic powder coated or two pack epoxy paint.



TRANSFORMER  
ENCLOSURE

## OPTIONS

- Voltage transformer. Please specify required voltage.
- NPT or other threads cable entry.
- Enameled aluminium reflector.
- Cable gland
- Lamp

نور محور فارس  
تولید کننده تجهیزات الکتریکی ضد انفجار  
NM SWITCHGEAR  
Explosion Proof Electrical Supplies

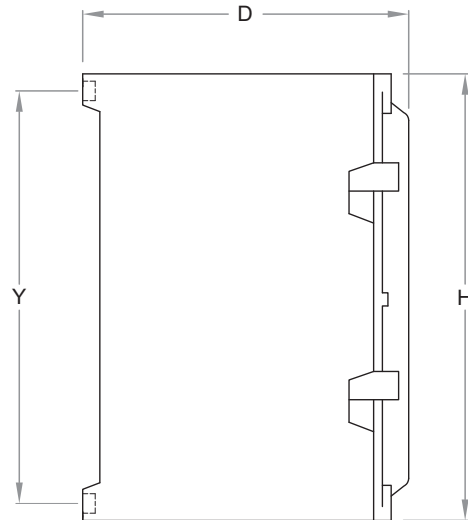
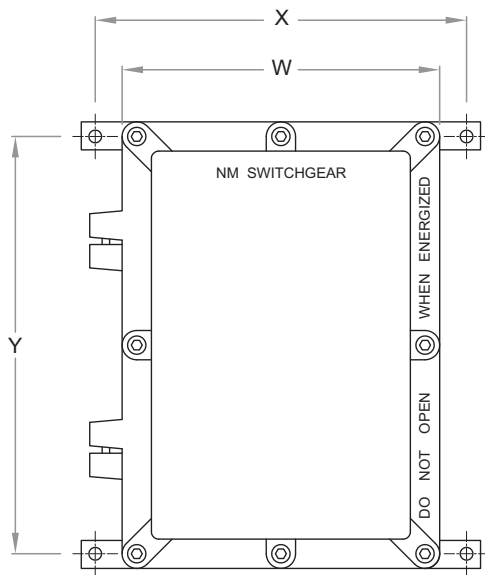


## NMLP Portable Hand Lamp and Transformer



TYPE	WATT	TEMP CLASS	LAMP HOLDER	H mm	W mm	Weight kg.
NMLP	up to 100	T4	E27	280	200	2.5

All dimensions are in mm.  
Dimensions shown are within manufacturing tolerances



Transformer enclosure.

TYPE	VA rating	TEMP CLASS	W mm	H mm	D mm	Mounting Detail		Weight kg.
						X	Y	
EJBCS1	100	T5	181	256	184	210	230	7.1

All dimensions are in mm.  
Dimensions shown are within manufacturing tolerances