



Marking to ATEX 94/9/EC Directive:  $\text{Ex}$  II 2 G Ex d IIC Gb / II 2 G Ex e IIC Gb / II 2 D Ex tb IIIC Db

Zone: 1, 2, 21, 22 , Gas Group IIC

Compliance with: IEC 60079-0:2011, IEC 60079-1:2007, IEC 60079-7:2007, IEC 60079-31:2008

EC Type Examination Certificate: ISSeP 12 ATEX 027



### FEATURES

- Dual certified Ex 'd' IIC flame proof and Ex 'e' II increased safety, helps to reduce specification errors.
- In accordance with BS 6121 : PAR 1 : 1989 type A2 for non-armoured, elastomer and plastic insulated cables.
- For outdoor or indoor use with seal protection degree IP66.
- Provides a seal on outer sheath of cable.
- High pull out resistant seal on the cable sheath.
- Wide cable acceptance range for easy selection.
- Operating temperature range: -50 °C to +100 °C.
- Materials and Finish: Manufactured as standard in brass with optional Nickel or Galvanized plating. Also available in stainless steel.

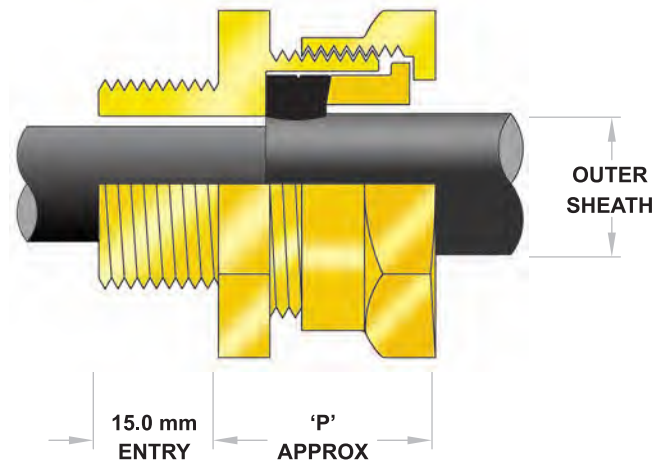


### OPTIONAL ACCESSORIES

- Nickel or Galvanized plating for brass cable gland.
- Sealing washer.
- Earth tag.
- Locknut.
- Shroud.



## NMG X21.. Non-armoured Cable Gland



NMG X21 CABLE GLAND SELECTION TABLE							
GLAND SIZE REF.	ENTRY THREAD SIZE		CABLE OUTER SHEATH		'P' Approx.	HEXAGON	
	METRIC	INCH*	MIN	MAX		ACROSS FLATS	ACROSS CORNERS
Oss**	M20	1/2"	3.0	6.0	26	24.0	27.0
Os**	M20	1/2"	3.0	8.0	26	24.0	27.0
O**	M20	1/2"	7.5	11.9	26	24.0	27.0
A	M20	3/4"	11.0	14.3	27	30.0	34.5
B	M25	1"	13.0	20.2	30	36.0	41.5
C	M32	1 1/4"	19.0	26.5	32	48.0	53.0
C2	M40	1 1/2"	25.0	32.5	33	55.0	63.5
D	M50	2"	31.5	44.4	40	65.0	75.0
E	M63	2 1/2"	42.5	56.3	40	80.0	92.5
F	M75	3"	54.5	68.2	42	95.0	109.5
G	M80	3 1/4"	67.0	73.0	58	108.0	126.0
H	M90	3 1/2"	67.0	77.5	71	118.0	134.0
J	M100	4"	75.0	91.5	80	128.0	142.0

All metric entry threads are 1.5 mm pitch medium fit.

All dimensions in millimeters (except \*)

\*\* Sizes Oss, Os and O are also available in M16. For O size with M16, maximum inner sheath is 10.9

Ordering example: Gland type / Size / Thread, e.g. NMG X21 / A / M20

- Specify cable diameter and thread forms on ordering.
- Specify any optional accessories, if required.
- Design is subject to alteration without notice.



Marking to ATEX 94/9/EC Directive:  $\text{Ex}$  II 2 G Ex d IIC Gb / II 2 G Ex e IIC Gb / II 2 D Ex tb IIIC Db

Zone: 1, 2, 21, 22 , Gas Group IIC

Compliance with: IEC 60079-0:2011, IEC 60079-1:2007, IEC 60079-7:2007, IEC 60079-31:2008

EC Type Examination Certificate: ISSeP 12 ATEX 027



### FEATURES

- Dual certified Ex 'd' IIC flame proof and Ex 'e' II increased safety, helps to reduce specification errors.
- In accordance with BS 6121 armoured E1 and non-armoured A2 elastomer and plastic insulated cables.
- For outdoor or indoor use with seal protection degree IP66.
- Provides seals on inner and outer sheaths of cable.
- High pull out resistant seal on the cable sheath.
- wide cable acceptance range for easy selection.
- Operating temperature range: -50 °C to +100 °C.
- Materials and Finish: Manufactured as standard in brass with optional Nickel or Galvanized plating. Also available in stainless steel.

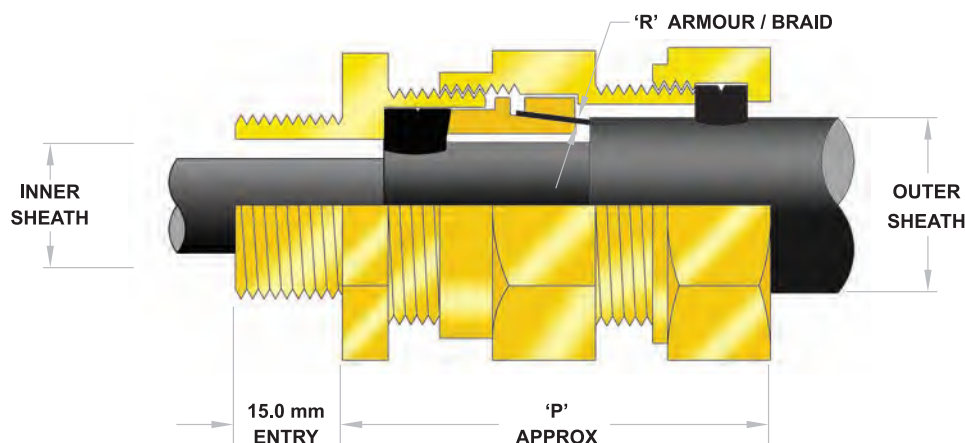


### OPTIONAL ACCESSORIES

- Nickel or Galvanized plating for brass cable gland
- Sealing washer
- Earth tag
- Locknut
- Shroud



## NMG X53.. Armoured Cable Gland



### NMG X53 CABLE GLAND SELECTION TABLE

GLAND SIZE REF.	ENTRY THREAD SIZE		CABLE ACCEPTANCE DETAILS				'P' Approx.	HEXAGON		ARMOUR / BRAID 'R'	
			INNER SHEATH DIAMETER		OUTER SHEATH DIAMETER			ACROSS FLATS	ACROSS CORNERS		
	METRIC	INCH*	MIN	MAX	MIN	MAX					
Oss**	M20	1/2"	3.0	6.0	8.0	15.3	55	24.0	27.5	0 - 0.6 xyz	0.9 - 1.25 w
Os**	M20	1/2"	3.0	8.0	8.0	15.3	55	24.0	27.5	0 - 0.6 xyz	0.9 - 1.25 w
O**	M20	1/2"	5.0	11.5	8.0	15.3	55	24.0	27.5	0 - 0.6 xyz	0.9 - 1.25 w
A	M20	3/4"	10.0	14.0	13.0	20.9	55	30.0	34.5	0 - 0.6 xyz	0.9 - 1.25 w
B	M25	1"	13.0	19.3	18.0	26.5	65	36.0	41.5	0 - 0.6 xyz	0.9 - 1.25 w
C	M32	1 1/4"	18.0	25.5	25.0	32.0	65	48.0	53.5	0 - 0.6 xz	1.6 - 2.0 w
C2	M40	1 1/2"	25.0	32.5	31.0	42.5	72	55.0	63.5	0 - 0.6 xz	1.6 - 2.0 w
D	M50	2"	34.0	44.2	40.0	52.0	93	65.0	75.0	0 - 1.0 xz	1.8 - 2.5 wy
E	M63	2 1/2"	42.0	55.4	49.7	64.2	93	80.0	92.5	0 - 1.0 xz	1.8 - 2.5 wy
F	M75	3"	55.0	67.0	64.0	77.2	93	95.0	109.5	0 - 1.0 xz	1.8 - 2.5 wy
G	M80	3 1/4"	67.0	73.0	75.0	89.5	93	106.4	123.0	0 - 1.0 xz	1.8 - 2.5 wy
H	M90	3 1/2"	67.0	77.6	75.0	89.5	93	106.4	123.0	0 - 1.0 xz	1.8 - 2.5 wy
J	M100	4"	75.0	91.6	88.0	104.5	93	127.0	146.7	0 - 1.0 xz	1.8 - 2.5 wy

All metric entry threads are 1.5 mm pitch medium fit.

All dimensions in millimeters (except \*)

\*\* Sizes Oss, Os and O are also available in M16. For O size with M16, maximum inner sheath is 10.9

Ordering example: Gland type / Size / Thread, e.g. NMG X53 / B / M25

- Specify cable inner and outer sheath diameter on ordering.
- Specify thread form e.g. metric, inch ... .
- Specify any optional accessories, if required.
- Design is subject to alteration without notice.





Marking to ATEX 94/9/EC Directive: II 2 G Ex d IIC Gb / II 2 G Ex e IIC Gb / II 2 D Ex tb IIIC Db

Zone: 1, 2, 21, 22 , Gas Group IIC

Compliance with: IEC 60079-0:2011, IEC 60079-1:2007, IEC 60079-7:2007, IEC 60079-31:2008

EC Type Examination Certificate: ISSeP 12 ATEX 027



### FEATURES

- In addition to the standard requirements for SWA cables, NMG X53 cable glands with a lead seal accessory provides an environmental seal on inner lead sheath use for armoured cables with lead sheathed.
- Dual certified Ex 'd' IIC flame proof and Ex 'e' II increased safety, helps to reduce specification errors.
- In accordance with BS 6121 for use with armoured E2 Lead sheathed and non-armoured A4 elastomer, plastic and paper insulated cables.
- For outdoor or indoor use with seal protection degree IP66.
- Provides environmental seal on inner lead sheaths and the cable outer sheath.
- High pull out resistant seal on the cable sheath.
- Wide cable acceptance range for easy selection.
- Operating temperature range: -50 °C to +100 °C.
- Materials and Finish: Manufactured as standard in brass with optional Nickel or Galvanized plating.  
Also available in stainless steel.



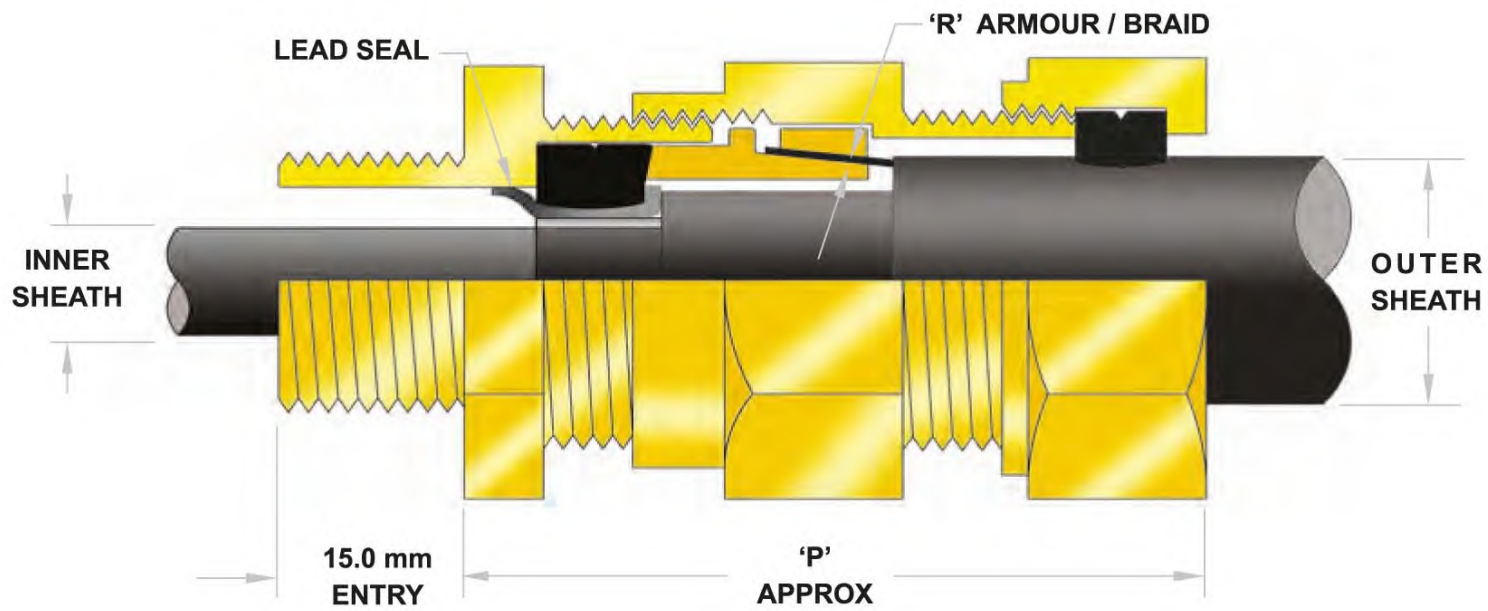
### OPTIONAL ACCESSORIES

- Nickel or Galvanized plating for brass cable gland
- Sealing washer
- Earth tag
- Locknut
- Shroud





# NMG X53 Armoured Cable Gland For Lead Sheathed Cable



NMG X53 CABLE GLAND SELECTION TABLE											
GLAND SIZE REF.	ENTRY THREAD SIZE		CABLE ACCEPTANCE DETAILS				'P' Approx.	HEXAGON		ARMOUR / BRAID 'R'	
			INNER SHEATH DIAMETER		OUTER SHEATH DIAMETER			MAX. ACROSS FLATS	MAX. ACROSS CORNERS		
	METRIC	INCH*	MIN	MAX	MIN	MAX					
O	M20	3/4"	4.8	9.4	8.0	15.0	56	24.0	27.0	0 - 0.6 xyz	0.9 - 1.25 w
A	M20	3/4"	7.0	11.0	13.0	20.5	56	30.0	34.5	0 - 0.6 xyz	0.9 - 1.25 w
B	M25	1"	10.5	16.4	18.0	26.5	66	36.0	41.6	0 - 0.6 xyz	1.25 - 1.6 w
Cs	M32	1 1/4"	15.0	18.5	25.0	32.5	66	46.0	53.1	0 - 0.6 xyz	1.6 - 2.0 w
C	M32	1 1/4"	18.0	22.7	25.0	32.5	66	46.0	53.1	0 - 0.6 xyz	1.6 - 2.0 w
C2s	M40	1 1/2"	20.0	25.0	31.0	42.0	73	55.0	63.5	0 - 0.6 xz	1.6 - 2.0 w
C2	M40	1 1/2"	23.0	28.5	31.0	42.0	73	55.0	63.5	0 - 0.6 xz	1.6 - 2.0 w
Ds	M50	2"	27.5	36.0	39.5	52.0	94	65.0	75.1	0 - 1.0 xz	1.8 - 2.5 wy
D	M50	2"	35.0	40.0	39.5	52.0	94	65.0	75.1	0 - 1.0 xz	1.8 - 2.5 wy
Ess	M63	2 1/2"	39.0	43.0	51.0	64.5	94	80.0	92.4	0 - 1.0 xz	1.8 - 2.5 wy
Es	M63	2 1/2"	42.0	46.0	51.0	64.5	94	80.0	92.4	0 - 1.0 xz	1.8 - 2.5 wy
E	M63	2 1/2"	45.0	51.0	51.0	64.5	94	80.0	92.4	0 - 1.0 xz	1.8 - 2.5 wy
Fss	M75	3"	50.0	54.5	63.5	77.5	94	95.0	109.6	0 - 1.0 xz	1.8 - 2.5 wy
Fs	M75	3"	53.5	58.0	63.5	77.5	94	95.0	109.6	0 - 1.0 xz	1.8 - 2.5 wy
F	M75	3"	57.0	65.0	63.5	77.5	94	95.0	109.6	0 - 1.0 xz	1.8 - 2.5 wy

All metric entry threads are 1.5 mm pitch medium fit.

All dimensions in millimeters (except \*)

Ordering example: Gland type / Size / Thread, e.g. NMG X53 / B / M25

- Specify cable inner and outer sheath diameter on ordering.
- Specify thread form e.g. metric, inch ...
- Specify any optional accessories, if required.
- Design is subject to alteration without notice.

نور محور فارس  
NM SWITCHGEAR